

Project _____
Item _____
Quantity _____
CSI Section 11400
Approved _____
Date _____

36 E Series Heavy Duty Open Element Top Range

36 E Series Heavy Duty Open Element Top Range

Models

- 36ER33
- 36ES33



Model 36ER33
Six Open Element Top Range

Standard Features

- Stainless steel front and sides
- Stainless steel front rail
- Chrome plated, 4 position removable rack guides w/oven rack
- Electro-mechanical heavy-duty oven thermostat
- Six tubular elements each controlled by three-heat switches
- 3" (76mm) high stainless steel vent raiser
- Heat resistant, cool to touch oven door handle
- 6" (152mm) adjustable chrome plated legs (NSF)
- One Year limited parts & labor (USA & Canada)

Options & Accessories

- Stainless steel main back (R&S models)
- Extra oven rack
- Swivel casters complete with front brakes (4)
- 6" (152mm) adjustable stainless steel legs
- Marine equipment- storm rails for pots, hand rails, oven door latch, drip tray stop and deck fasteners

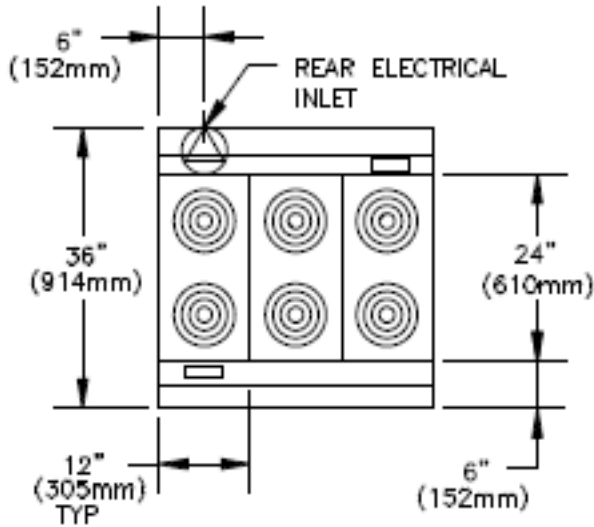
NOTE: Ranges supplied with casters must be installed with an approved restraining device.

Specifications

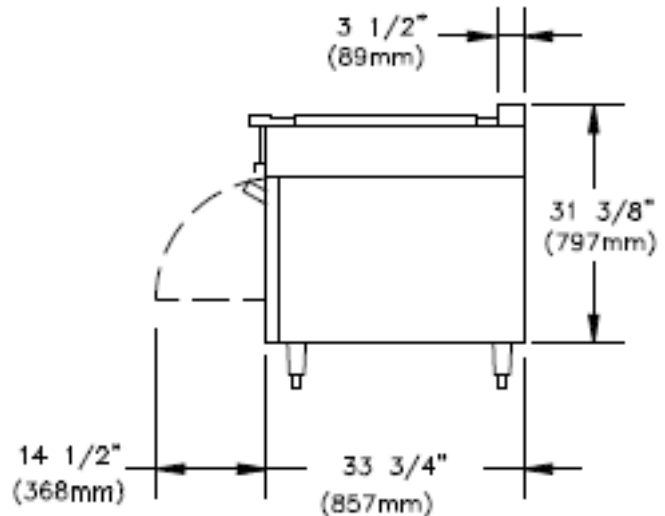
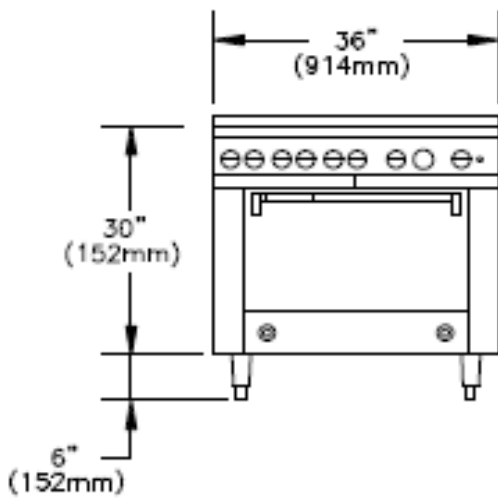
Heavy-duty electric range, Model 36ER33, with 6 element open top. Topc contains six tubular elements, each controlled by 3-heat switch. Full size oven is controlled by a heavy-duty electromechanical thermostat. . Oven interior is 13.5" (343mm) high x 26.25" (667mm) wide x 29" (533mm) deep with removable four-position chrome plated rack guides and one oven rack, front and rear stainless steel grease troughs. Stainless steel front and sides. Circuit breakers or fuses provide electric circuit protection. Available with casters or for dais mount. Model 36E533 has storage base in lieu of oven section.



36 E Series Heavy Duty Open Element Top Range



Garland products are not approved or authorized for home or residential use, but are intended for commercial applications only. Garland will not provide service, warranty, maintenance or support of any kind other than in commercial applications.



MODEL	TOTAL KW	3-PHASE KW PER PHASE ALL VOLTAGES			NOMINAL AMPERES PER LINE								
					SINGLE PHASE		THREE PHASE						
		X-Y	Y-Z	X-Z	208V	240V	208V			240V			
36ER33	19.1	6.5	4.2	8.4	92	81	62	45	54	55	40	47	
36ES	12.6	4.2	4.2	4.2	61	53	35	35	35	31	31	31	

CLEARANCES			
ENTRY		TO COMBUSTIBLE WALL	
CRATED	UNCRATED	SIDES	REAR*
41-1/4" (1048mm)	36-1/4" (921mm)	3" (76mm)	1/2" (13mm)

Welbilt reserves the right to make changes to the design or specifications without prior notice.